

| | operation when directly connected to chimney | | operation when connected accumulation mass | |
|--|--|----------------------------|--|----------------------------|
| | cupola | hot air exchanger | cupola | adaptor |
| Energy label | A+ | A | A+ | A+ |
| Operating data | | | | |
| Nominal heat power | 7 kW | 10 kW | ---- | ---- |
| Efficiency | > 80 % | > 80 % | ---- | ---- |
| Consumption of wood | 2,2 kg/h | 3 kg/h | 5 kg | 5 kg |
| Total heat output of the burning chamber | ---- | ---- | 19 kW | 19 kW |
| Mass flow of flue gas | 6,4 g/s | 9,6 g/s | 15 g/s | 15 g/s |
| Required chimney pressure | 12 Pa | 12 Pa | 12 Pa | 15 Pa |
| Required amount of combustion air | 30 m ³ /h | 35 m ³ /h | 50 m ³ /h | 50 m ³ /h |
| Average flue gas temperature | | | | |
| on the output | 254 °C | 269 °C | 394 °C | 404 °C |
| past 3,6 m of ceramic accumulation system KMS 300 ¹ | ---- | ---- | 178 °C | ---- |
| past accumulation rings (5x acc. ring Ø440mm) | ---- | ---- | ---- | 235 °C |
| Heat distribution | | | | |
| fireplace insert | 64–75 % | 64–75 % | 36 % | 32 % |
| door glass (single / double) | 36 / 25 % | 36 / 25 % | 36 / 25 % | 36 / 25 % |
| adjoining accumulation mass | ---- | ---- | 28–39 % | 32–42 % |
| Information for ventilated builds | | | | |
| Minimal grill area supply / outgoing | 650 / 800 cm ² | 950 / 1150 cm ² | 950 / 1150 cm ² | 950 / 1150 cm ² |
| Minimum distance from insulated areas / floor | 80 / 0 mm | | 80 / 0 mm | |
| Reference insulation ² ceiling / back wall / side wall / floor | 120 / 80 / 80 / 0 mm | | 120 / 80 / 80 / 0 mm | |
| Calciumsilicate insulation ³ ceiling / back wall / side wall / floor | 90 / 60 / 60 / 0 mm | | 90 / 60 / 60 / 0 mm | |
| Information for non-ventilated builds (closed grills) | | | | |
| Minimum radiant area ⁴ | 4 m ² | | 4,5 m ² | |
| Minimum distance from insulated areas / floor | 80 / 20 mm | | 80 / 20 mm | |
| Reference insulation ² ceiling / back wall / side wall / floor | 160 / 100 / 100 / 20 mm | | 160 / 100 / 100 / 20 mm | |
| Calciumsilicate insulation ³ ceiling / back wall / side wall / floor | 120 / 75 / 75 / 20 mm | | 120 / 75 / 75 / 20 mm | |
| General technical information | | | | |
| Total weight / lining weight | ca. 261 / 67 kg | | ca. 261 / 67 kg | |
| Burning chamber dimensions (width x depth) | 355 x 355 mm | | | |
| Combustion air connection | Ø 125 mm | | | |
| Use in non-ventilated accumulation builds according to craft rules | suitable | | | |
| Tested according to | EN 13229 | | | |
| Meets values | 1. BlmSchV (Stufe2), 15a BVG, NS 3059 | | | |

1 Listed value from testing. For accurate results is evaluation of each system in the Ortner / KOV program necessary.

2 Mineral wool according to AGI-Q 132

3 Example SkamoEnclosure Board 225 kg/m³

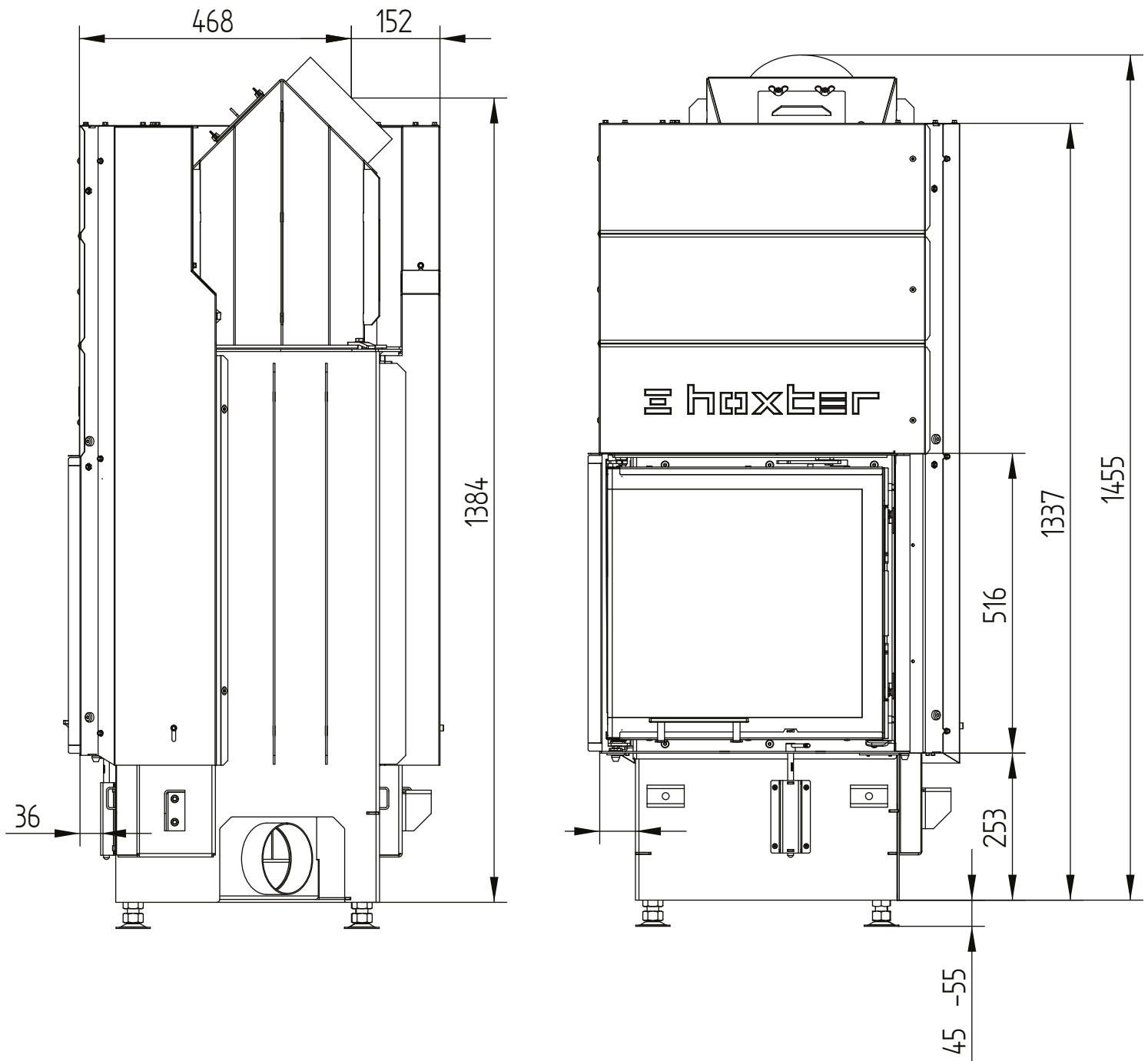
4 Depends on accumulation period and material characteristics. Listed values calculated with chamotte stone thickness 30 mm with radiant area 500 W/m²

ECKA 51/51/51

Technical data
Version 2019/08

liftdoor hot air exchanger 45°

M 1:10

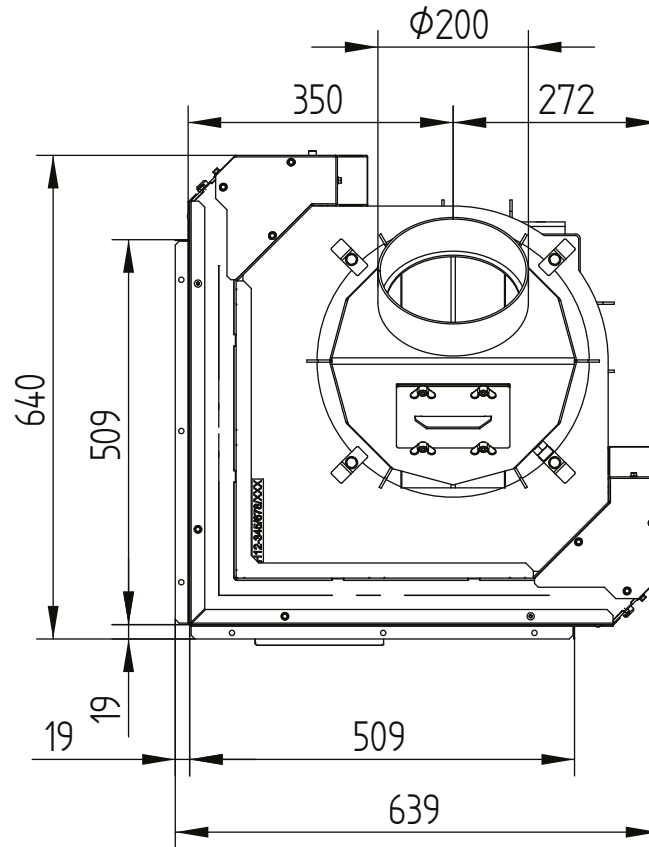


ECKA 51/51/51

Technical data
Version 2019/08

liftdoor hot air exchanger 45°

M 1:10

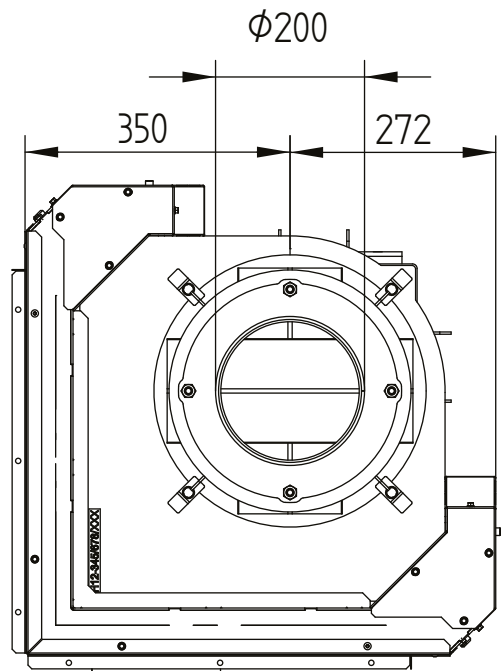
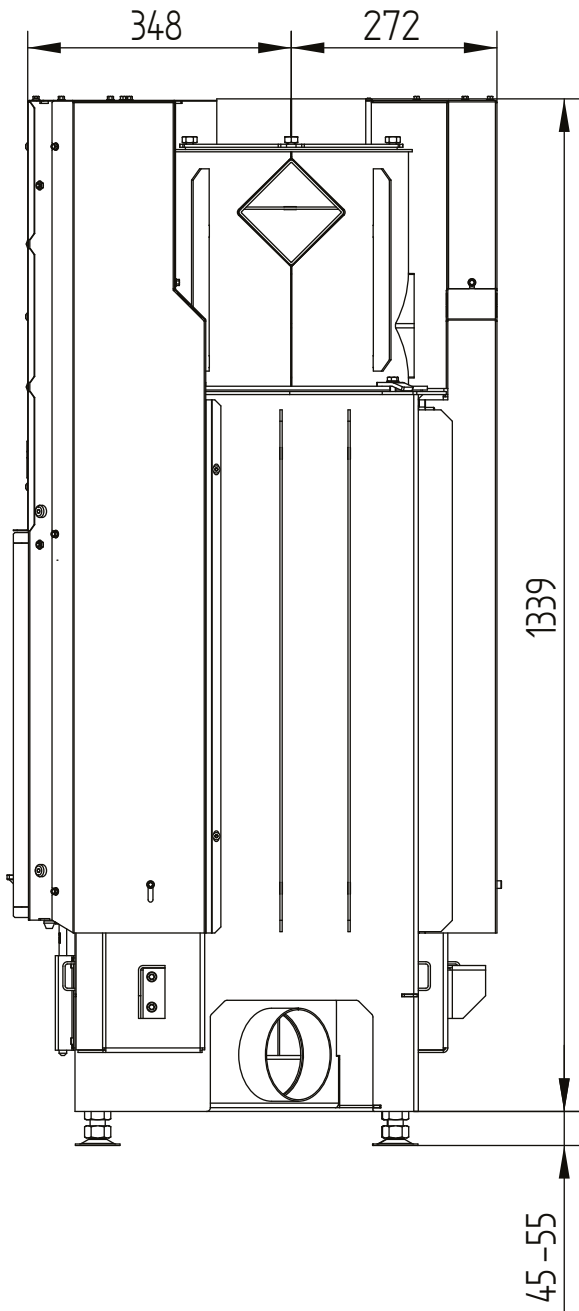


ECKA 51/51/51

Technical data
Version 2019/08

liftdoor hot air exchanger vertical

M 1:10

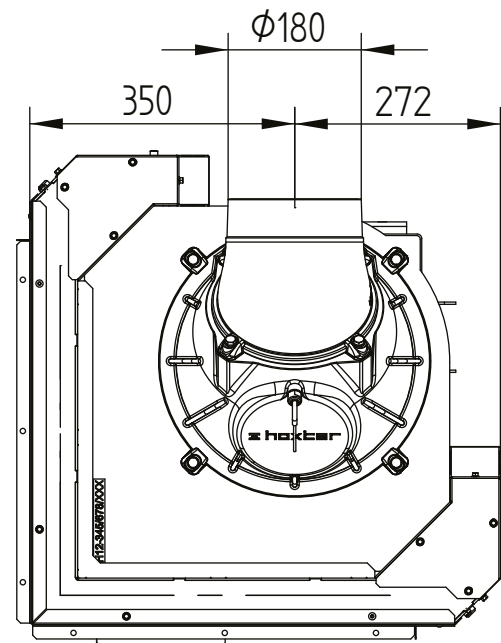
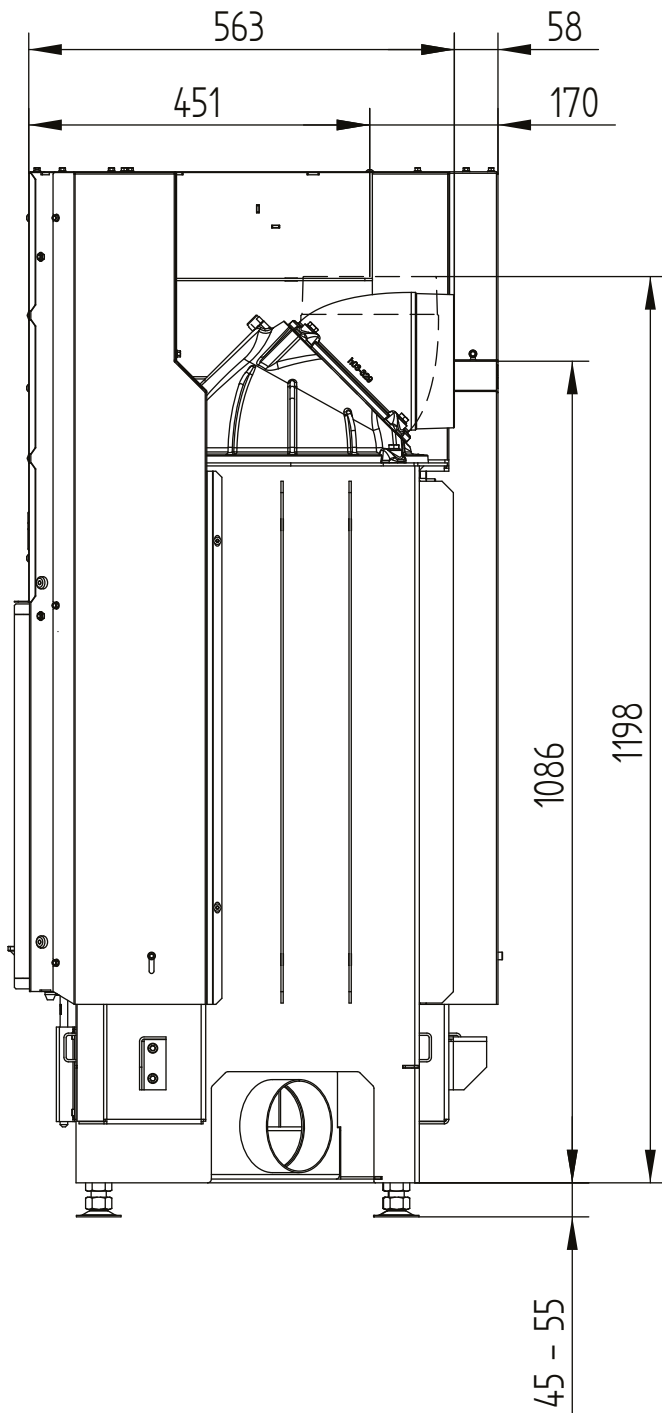


ECKA 51/51/51

Technical data
Version 2019/08

liftdoor cupola

M 1:10

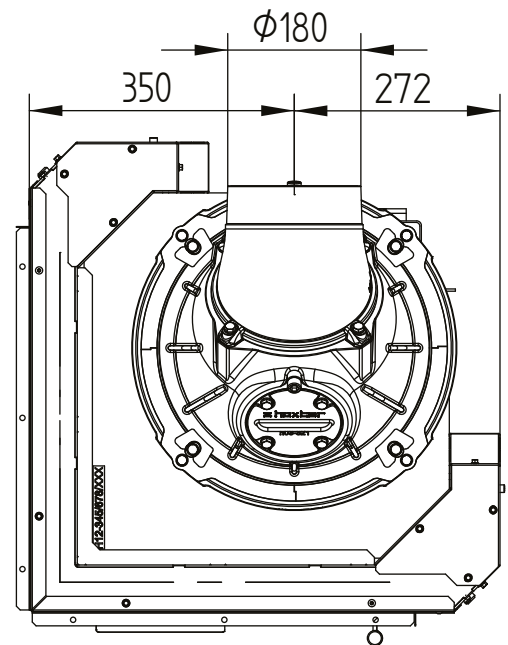
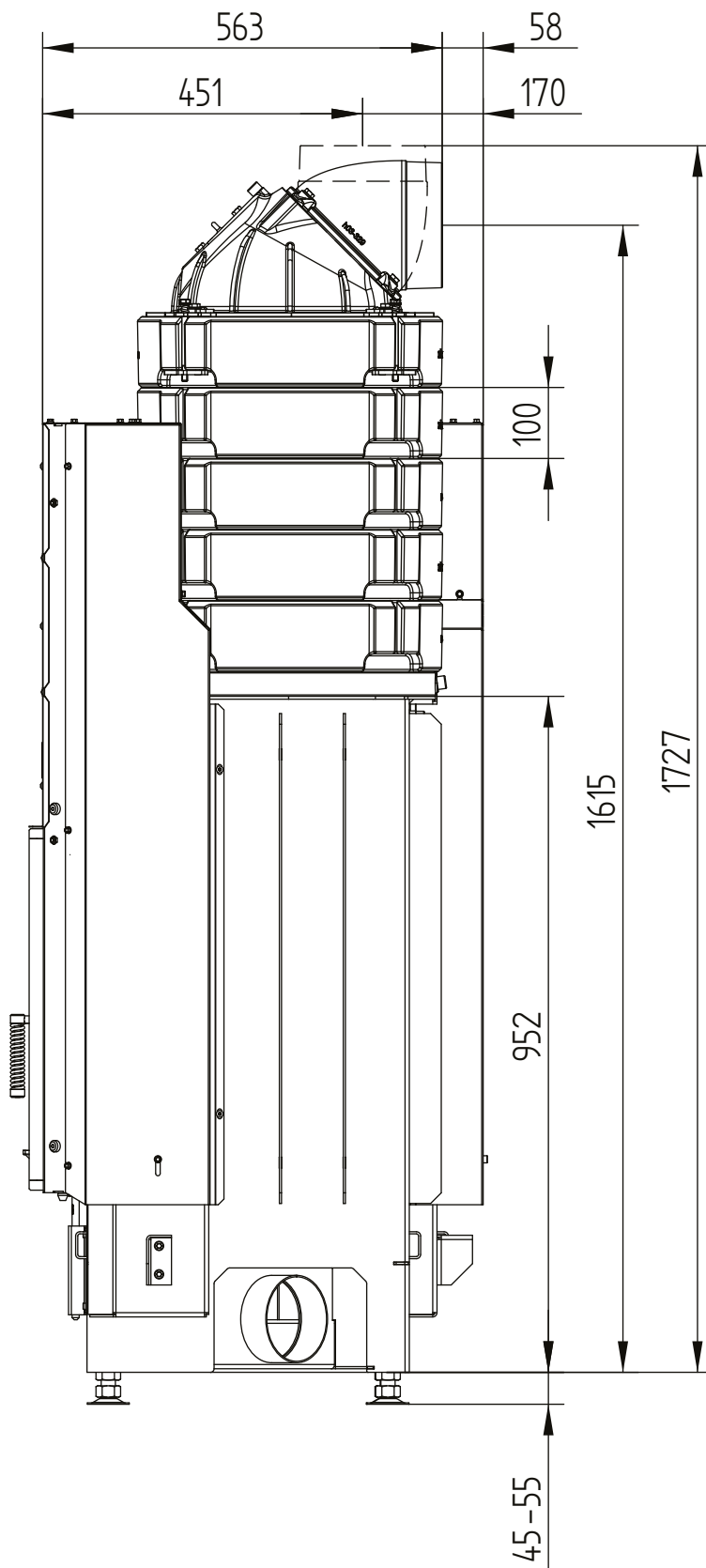


ECKA 51/51/51

Technical data
Version 2019/08

liftdoor accumulation rings

M 1:10

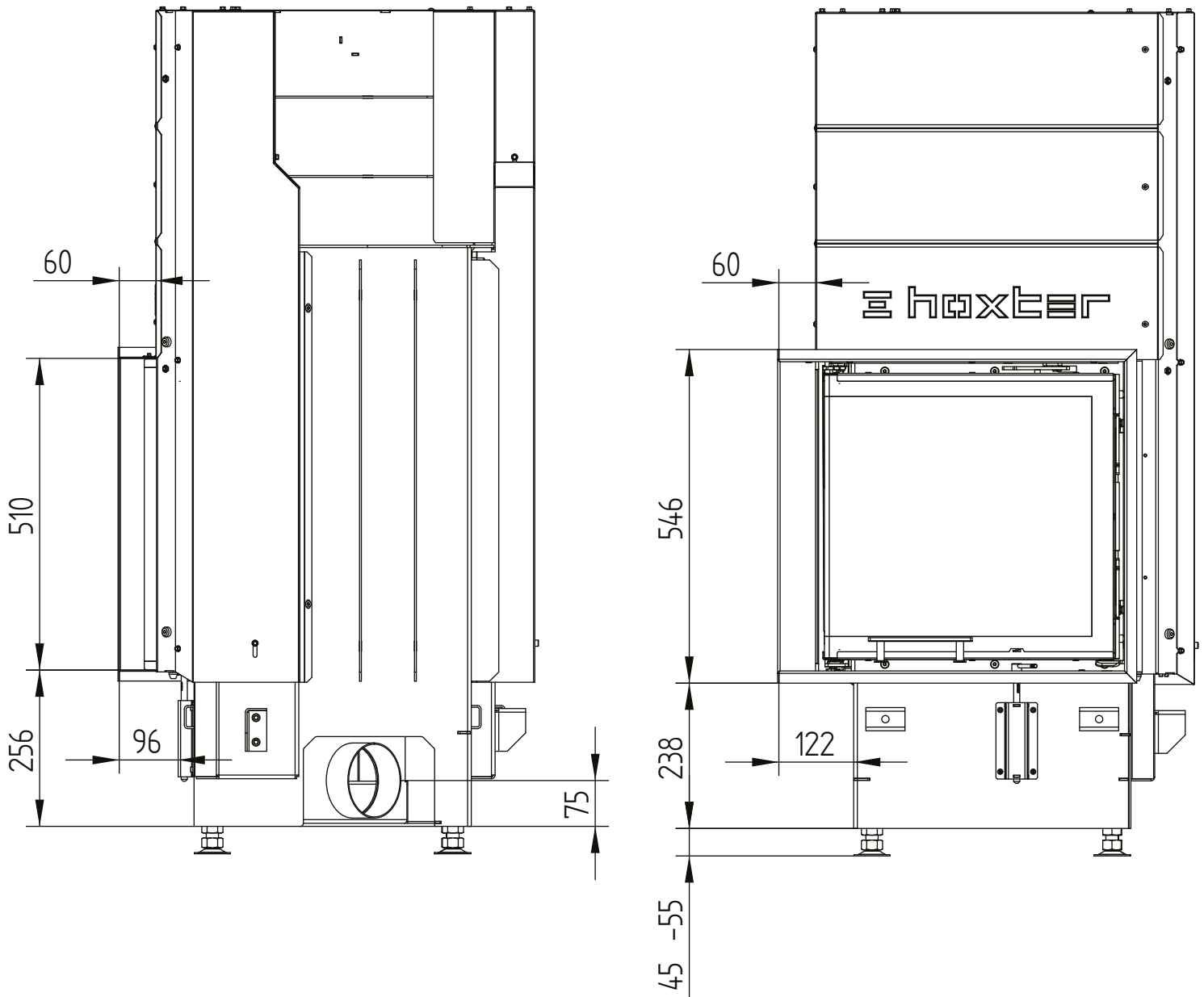


ECKA 51/51/51

Technical data
Version 2019/08

cover frame 51/51/51h liftdoor 6sides 60 mm 1 x 90° / air connection

M 1:10

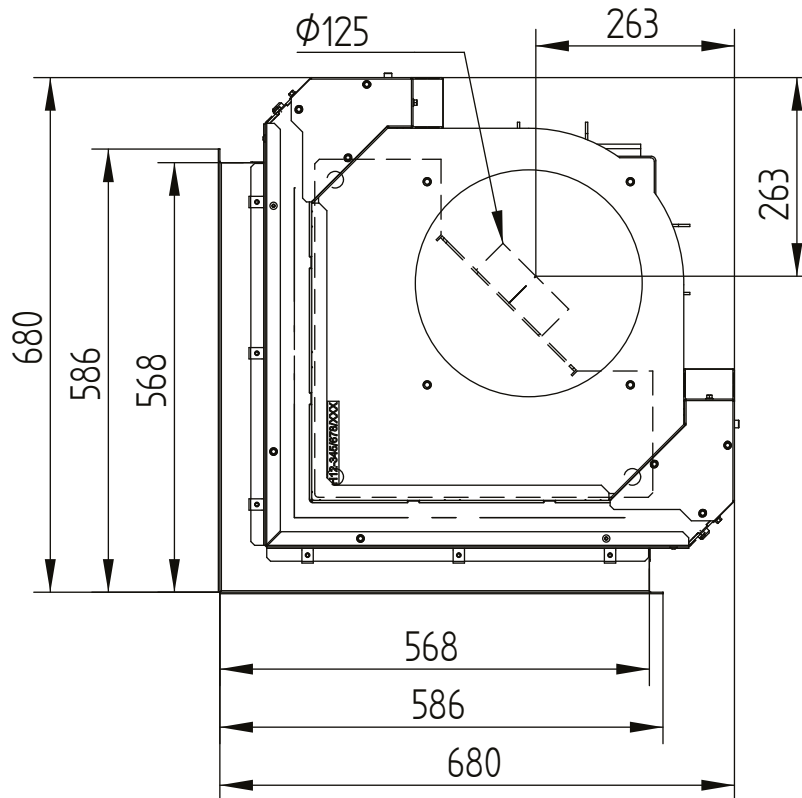


ECKA 51/51/51

Technical data
Version 2019/08

cover frame 51/51/51h liftdoor 6sides 60 mm 1 x 90° / air connection

M 1:10

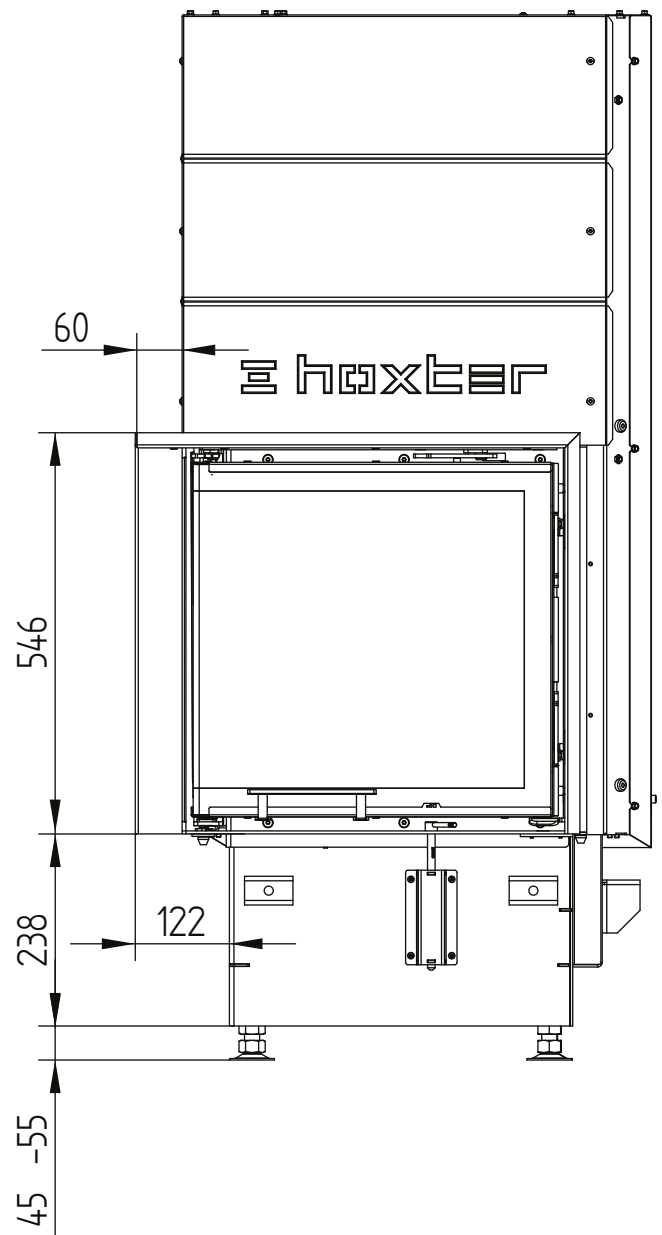
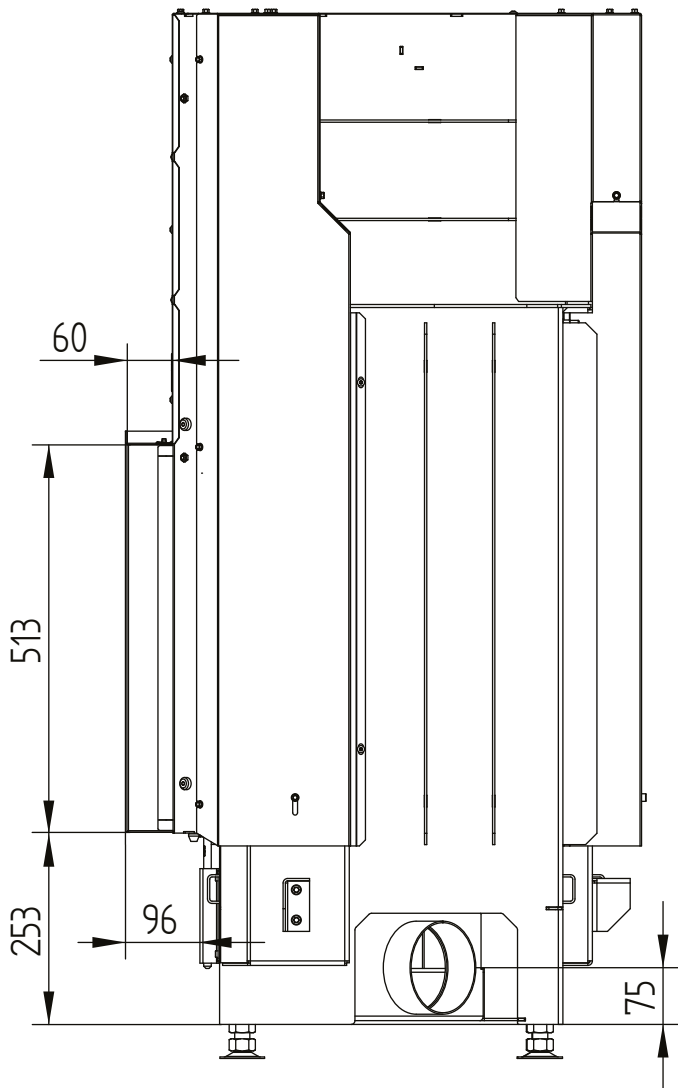


ECKA 51/51/51

Technical data
Version 2019/08

cover frame 51/51/51h liftdoor 4sides 60 mm 1 x 90°

M 1:10

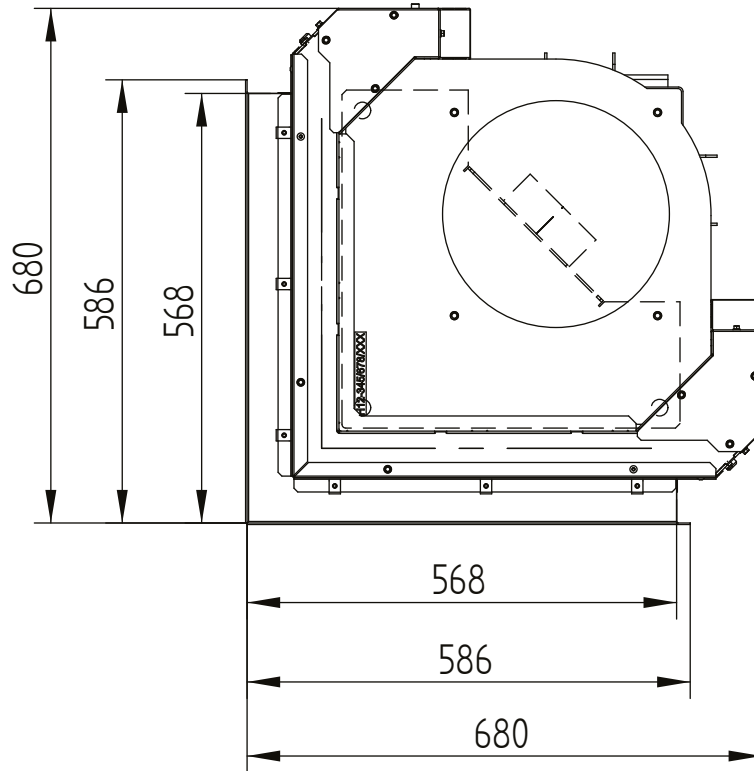


ECKA 51/51/51

Technical data
Version 2019/08

cover frame 51/51/51h liftdoor 4sides 60 mm 1 x 90°

M 1:10

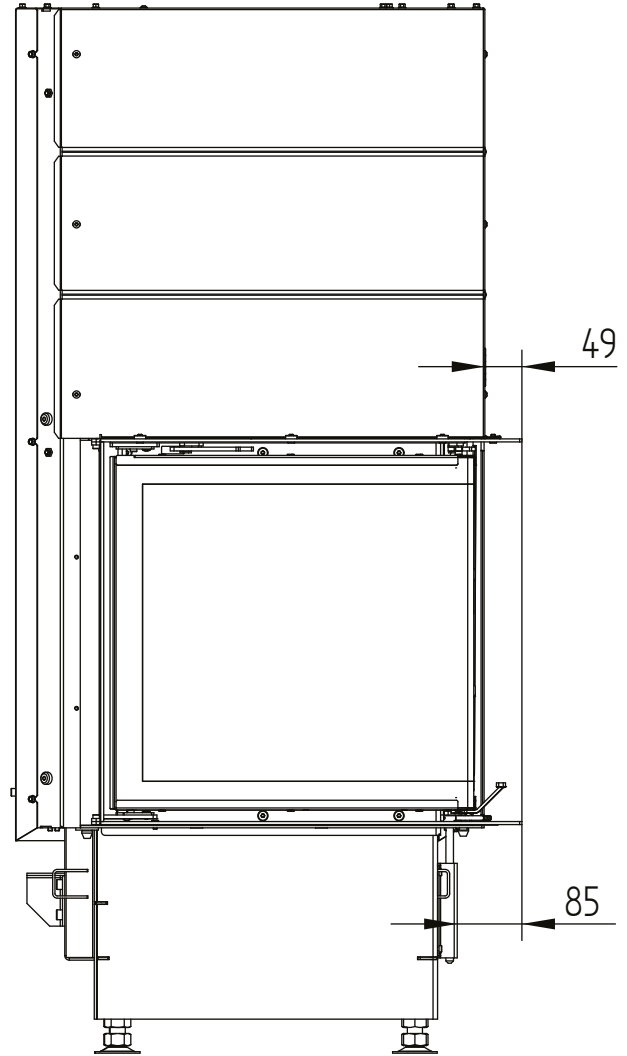
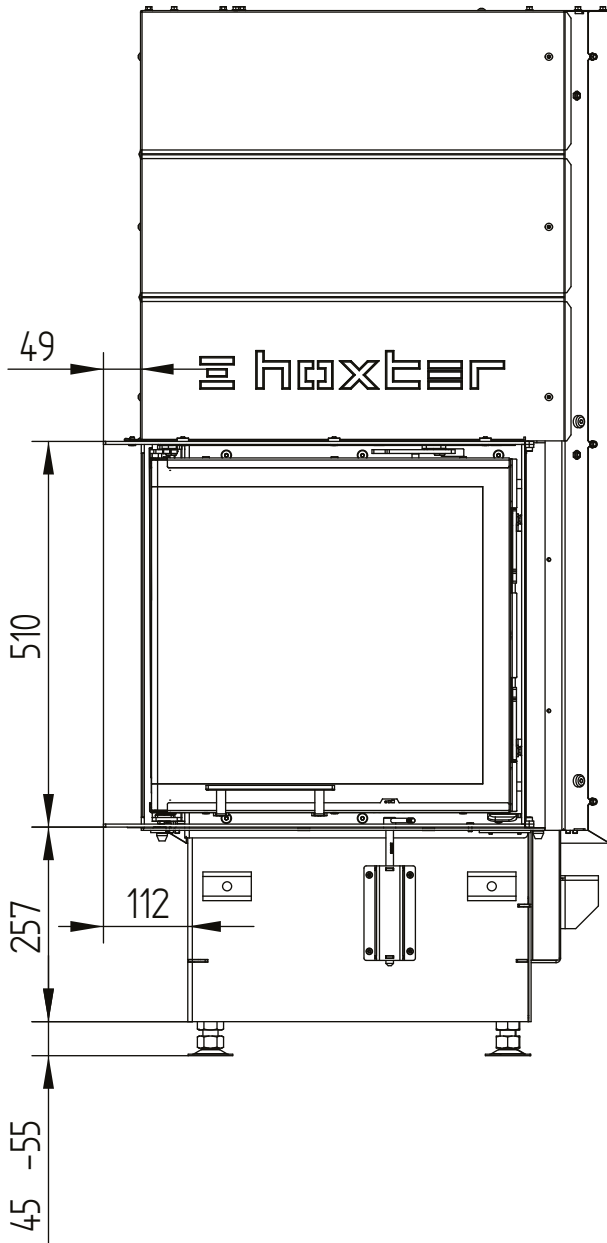


ECKA 51/51/51

Technical data
Version 2019/08

build-on frame 51/51/51h liftdoor 6sides 50 mm

M 1:10

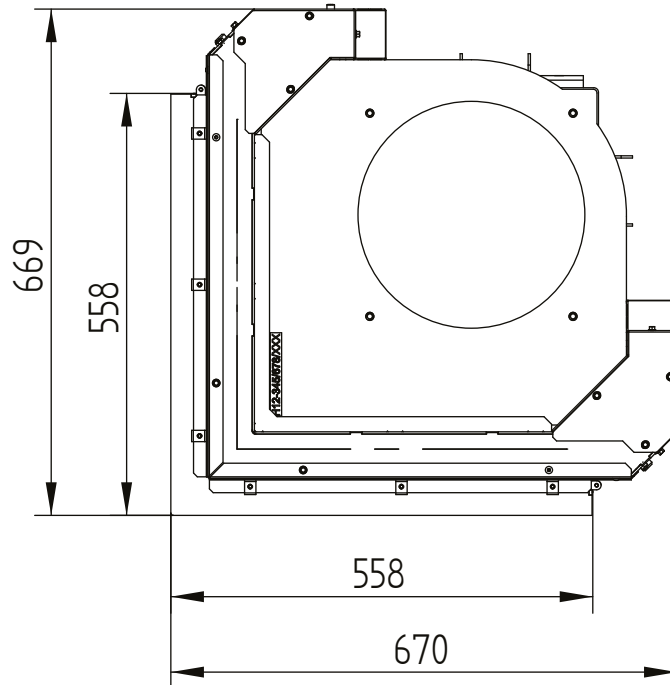


ECKA 51/51/51

Technical data
Version 2019/08

build-on frame 51/51/51h liftdoor 6sides 50 mm

M 1:10

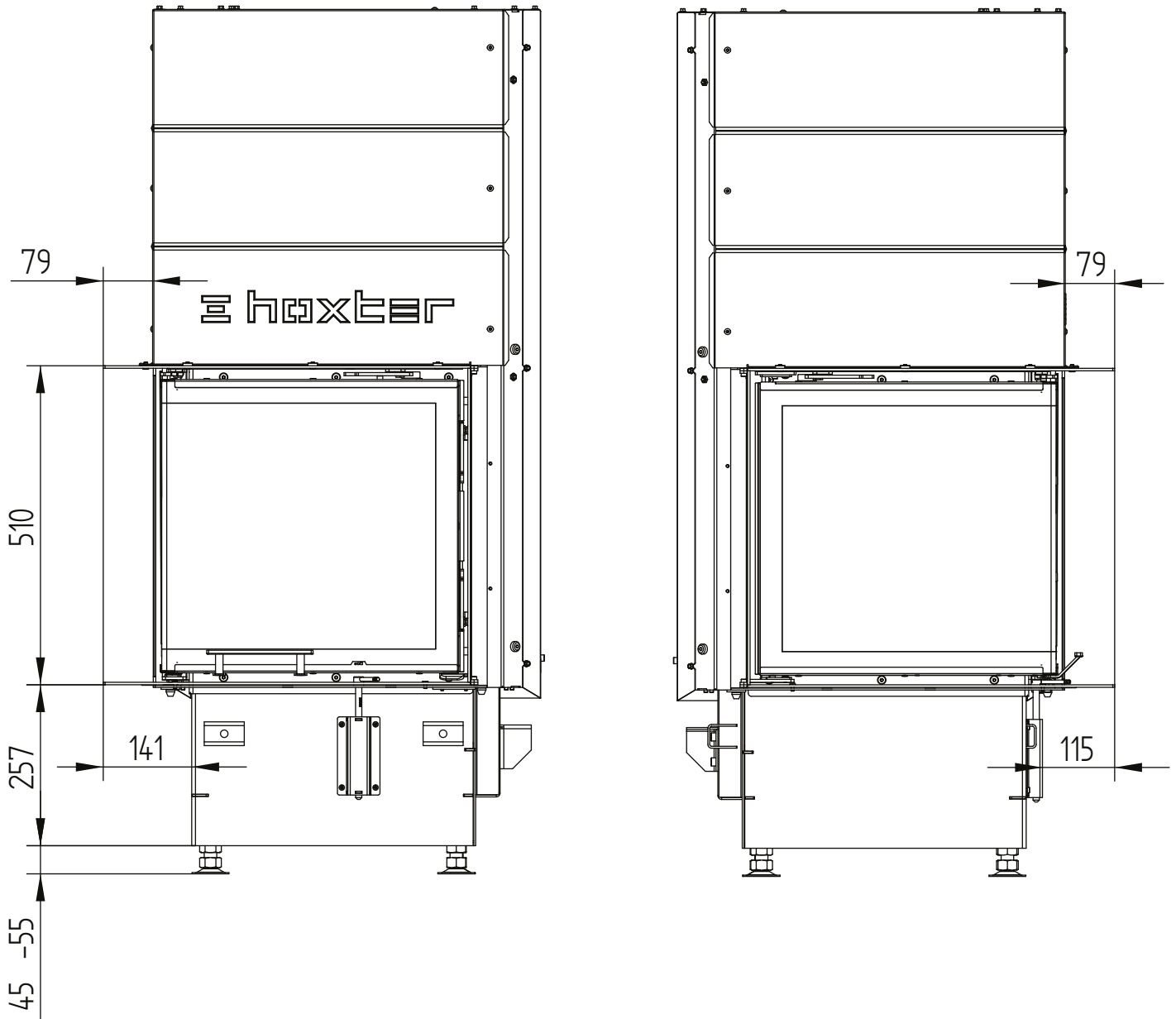


ECKA 51/51/51

Technical data
Version 2019/08

build-on frame 51/51/51h liftdoor 6sides 80 mm / feet

M 1:10

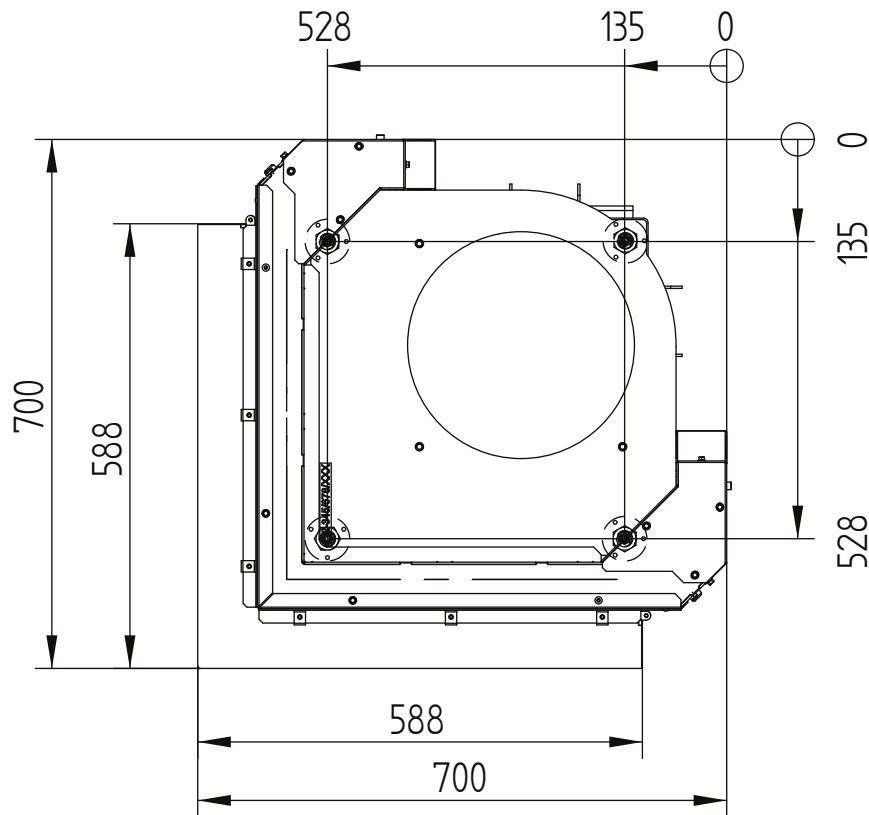


ECKA 51/51/51

Technical data
Version 2019/08

build-on frame 51/51/51h liftdoor 6sides 80 mm / feet

M 1:10

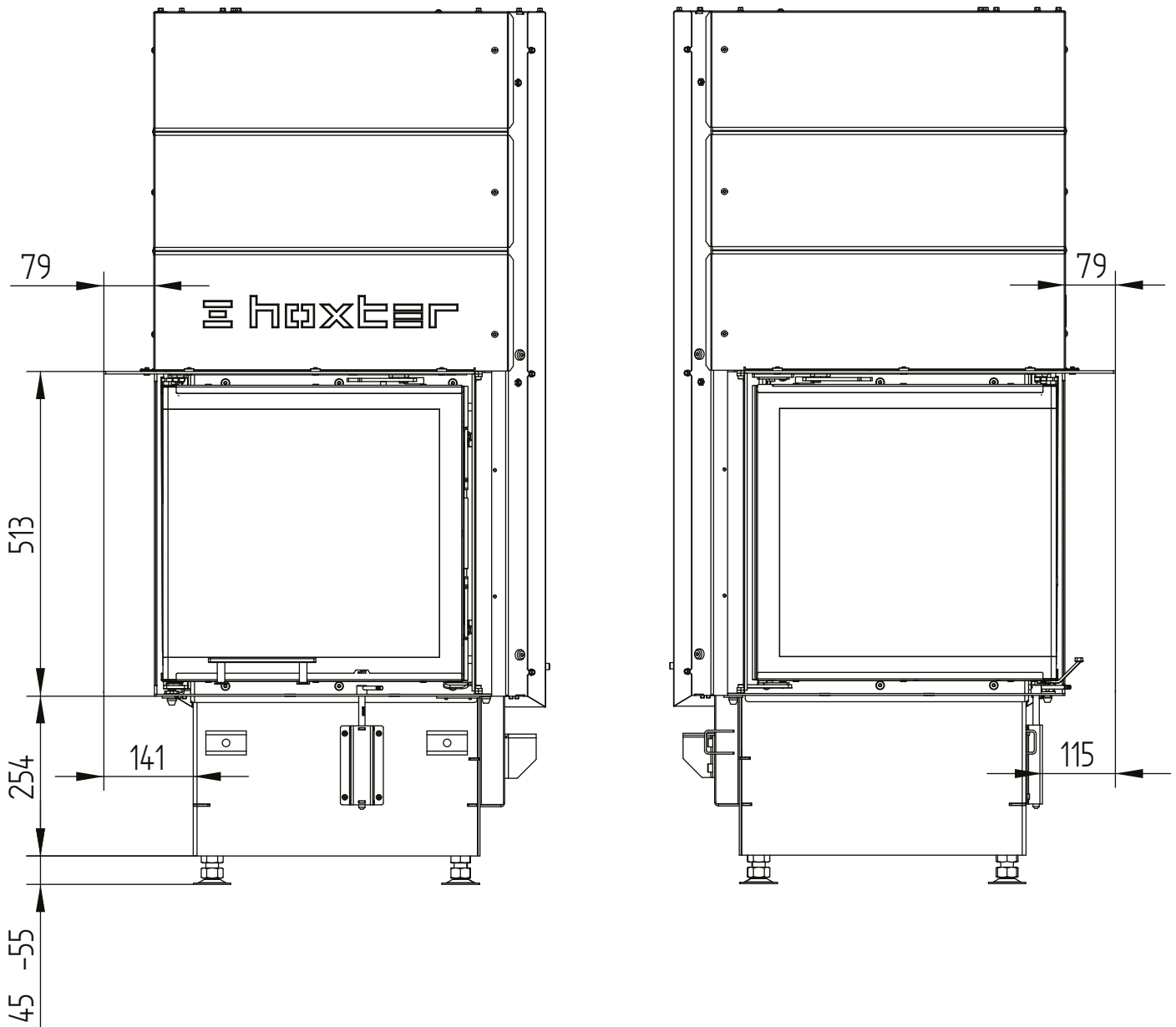


ECKA 51/51/51

Technical data
Version 2019/08

build-on frame 51/51/51h liftdoor 4sides 80 mm

M 1:10



ECKA 51/51/51

Technical data
Version 2019/08

build-on frame 51/51/51h liftdoor 4sides 80 mm

M 1:10

