

Technical data	operation when directly connected to chimney	operation when connected accumulation mass
Energy label	A	A
Operating data		
Nominal heat power	9 kW	----
Efficiency	> 80 %	----
Consumption of wood	2,8 kg/h	4,5 kg
Total heat output of the burning chamber	----	18 kW
Average heat output / heat accumulation time ⁵	----	1,8 kW / 8 h
Mass flow of flue gas	7,7 g/s	13,5 g/s
Required chimney pressure	12 Pa	12 Pa
Required amount of combustion air	25 m ³ /h	40 m ³ /h
Average flue gas temperature		
on the output	305 °C	382 °C
behind 2,4 m of ceramic accumulation system KMS 300 ¹	----	228 °C
Heat distribution		
fireplace insert	45 %	30 %
door glass (single / double)	55 / 0 %	55 / 0 %
additional accumulation mass	----	15 %
Information for ventilated builds		
Minimal grill area supply / outgoing	700 / 850 cm ²	700 / 850 cm ²
Minimum distance from insulated areas / floor	50 / 0	50 / 0
Reference insulation ² ceiling / back wall / side wall / floor	120 / 70 / 0 / 0	120 / 70 / 0 / 0
Calciumsilicate insulation ³ ceiling / back wall / side wall / floor	80 / 50 / 0 / 0	80 / 50 / 0 / 0
Information for non-ventilated builds (closed grills)		
Minimum radiant area ⁴	suitable	4 m ²
Minimum distance from insulated areas / floor	50 / 20 mm	50 / 20 mm
Reference insulation ² ceiling / back wall / side wall / floor	160 / 90 / 0 / 20 mm	160 / 90 / 0 / 20 mm
Calciumsilicate insulation ³ ceiling / back wall / side wall / floor	120 / 70 / 0 / 20 mm	120 / 70 / 0 / 20 mm
General technical information		
Total weight / lining weight	circa 260 / 46 kg	circa 260 / 46 kg
Burning chamber dimensions (width x depth)	255 x 540 mm	
Combustion air connection	Ø 150 mm	
Use in non-ventilated accumulation builds according to craft rules	suitable	
Tested according to	EN 13229	
Meets values	BlmSchV (Stufe2), 15a BVG, NS 3059	

1 Listed value from testing. For accurate results is evaluation of each system in the Ortner / KOV program necessary

2 Mineral wool according to AGI-Q 132

3 Example SkamoEnclosure Board 225 kg/m³

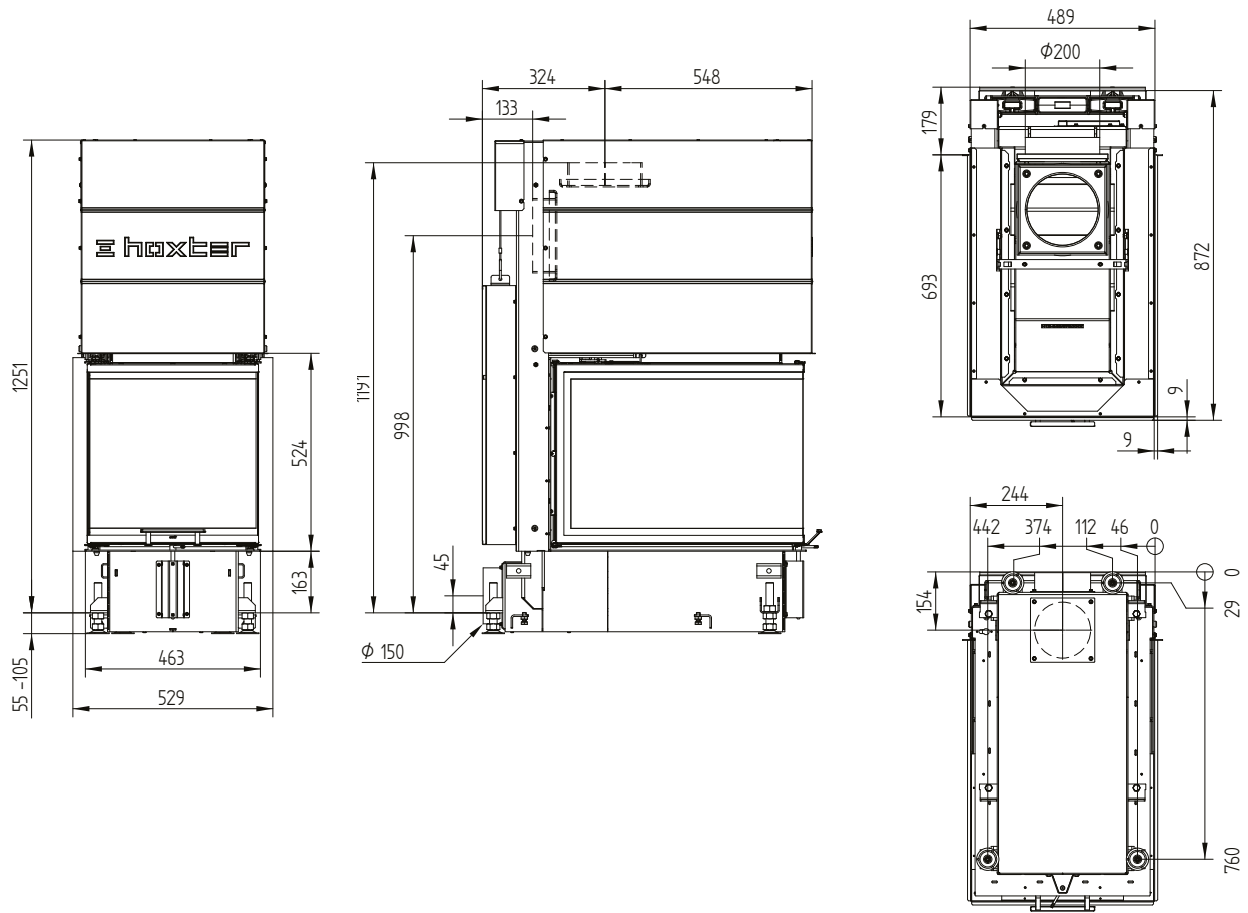
4 Depends on accumulation period and material characteristics. Listed values calculated with average specific heat output = approx. 500 W/m²

5 Storage operation, one wood charge for storage duration, with closed construction and efficiency > 80%

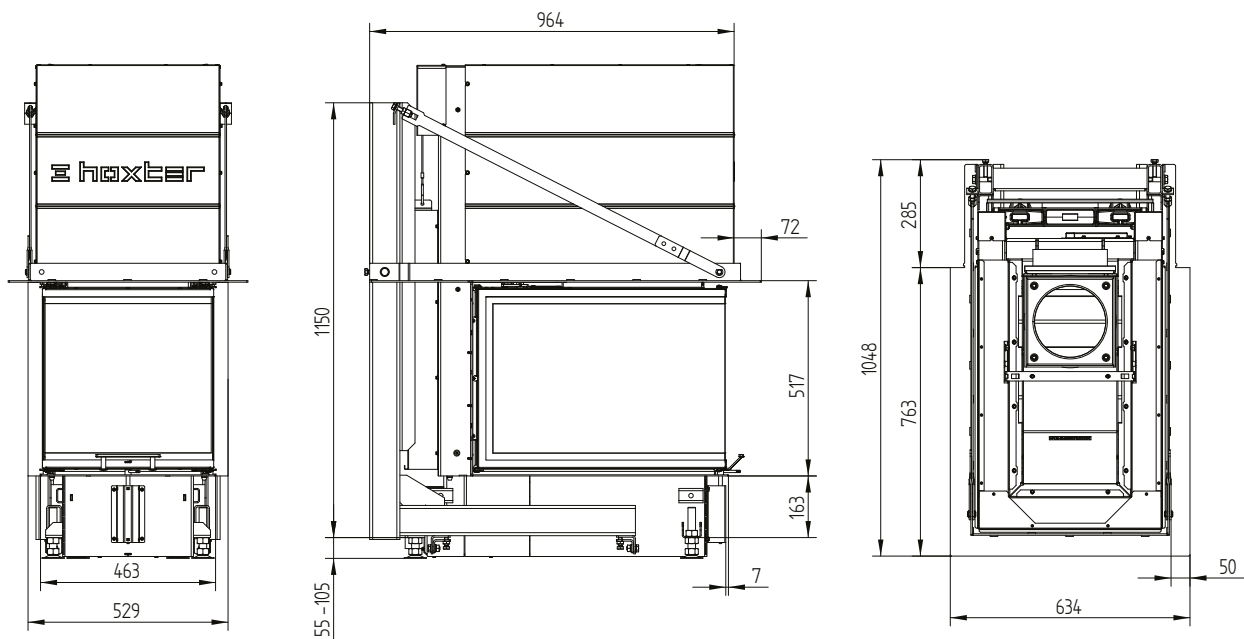
UKA 69/48/69/51h

Technical data
Version 09/2023

UKA 69/48/69/51h / air inlet / feet



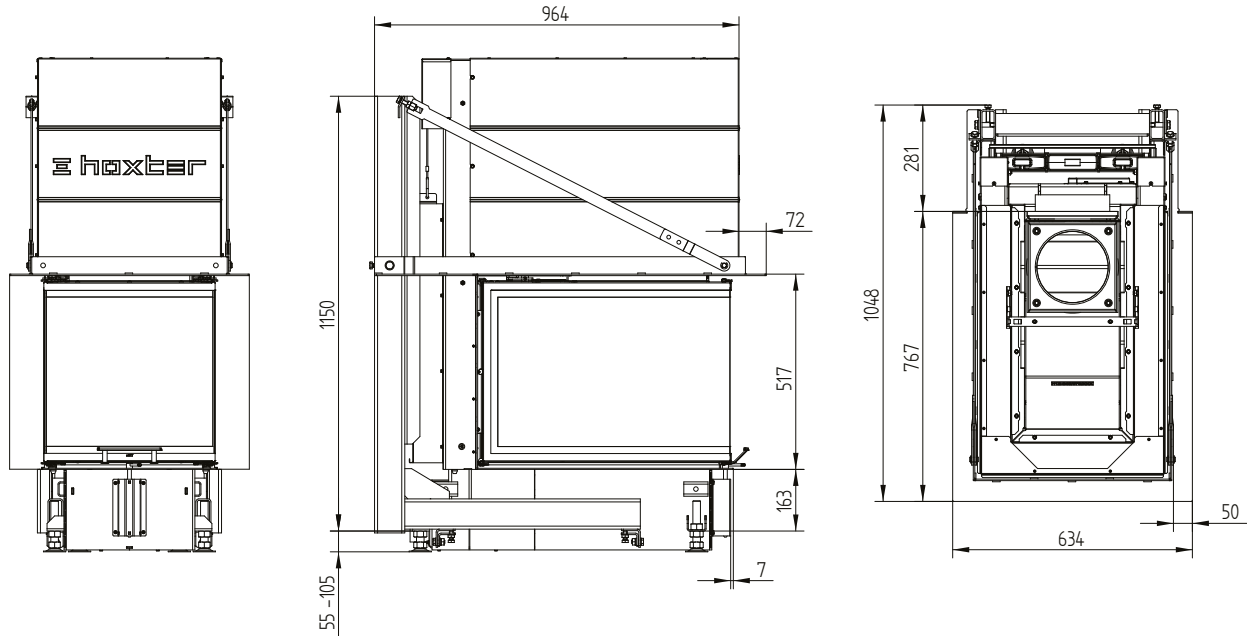
UKA 69/48/69/51h supporting construction incl. build-on frame 3sides 70 mm



UKA 69/48/69/51h

Technical data
Version 09/2023

UKA 69/48/69/51h supporting construction incl. build-on frame 5sides 70 mm



UKA 69/48/69/51h supporting construction incl. build-on frame 8sides 70 mm

