



# **BLOX**

**Accumulation stove  
Modular fireplaces**





**BLOX U77**

## **BLOX system**

With improvements in the quality of building technology come changing requirements for heating. Modern houses with good thermal insulation require a change of approach. In contrast to a massive heating capacity which is quickly depleted and requires frequent refilling, BLOX compact modular fireplaces and accumulation stoves are designed with a different philosophy. They limit the heat output and aim for better accumulation at a lower fuelling frequency. The basic modular stove body made of exposed concrete with a clear view of the fire uses the reserve of the accumulation mass while maintaining compact dimensions. Modular fireplaces and stoves keep warm long after they have been extinguished. Emphasis is also placed on quick assembly and quality of detail. Design and functionality are combined in a symbiosis of simple form and quality stove craftsmanship.



**BLOX H60**

## BLOX SYSTEM

### Quick installation

During development, we emphasized the essentials, such as quick installation, connection variability and guaranteed long-term functionality of the entire device. This predetermines the combination of materials used and the modular system of the entire product.

**415–606 kg**

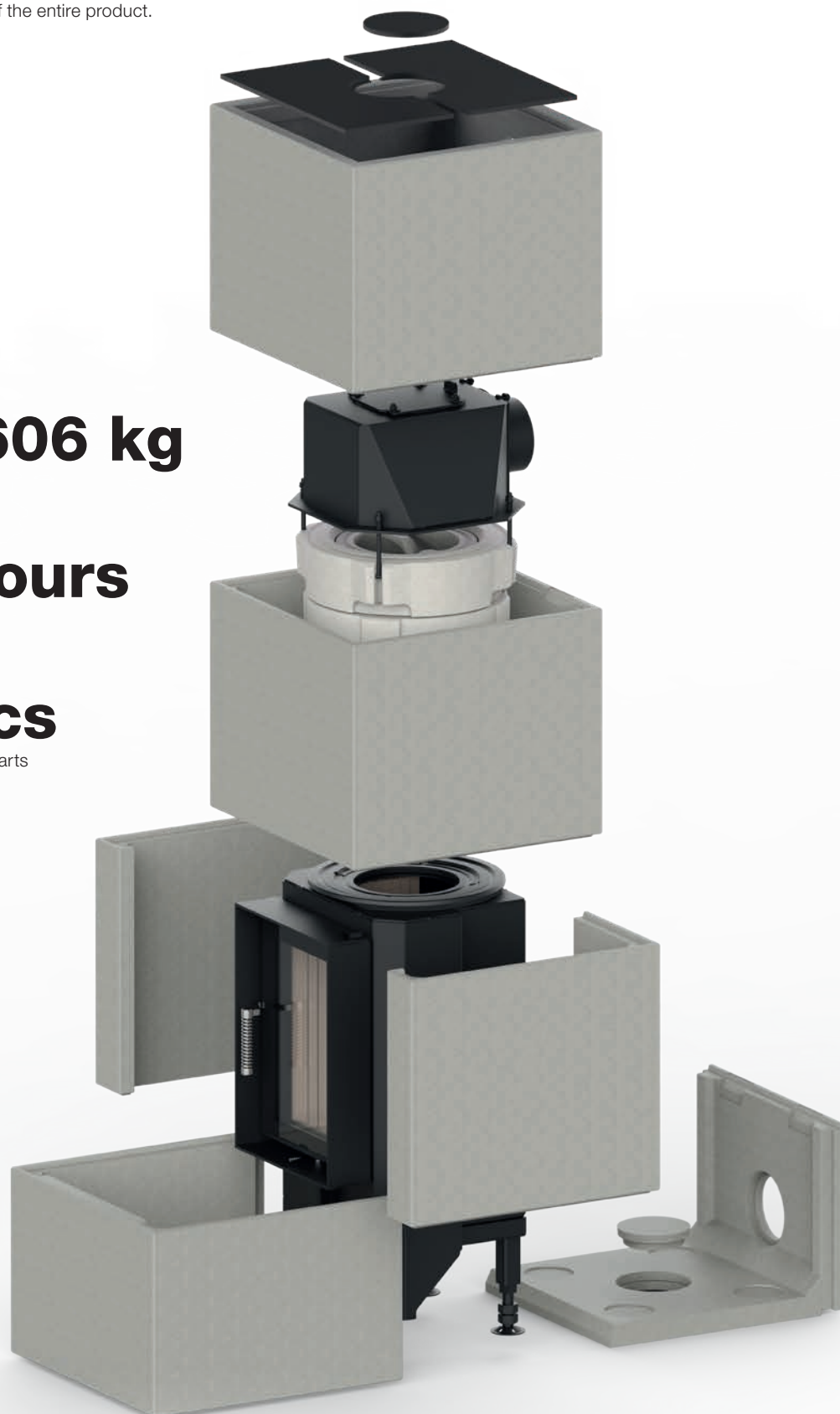
Total weight

**3–5 hours**

Installation time

**6–7 pcs**

Number of concrete parts



## BLOX SYSTEM

### Exposed concrete

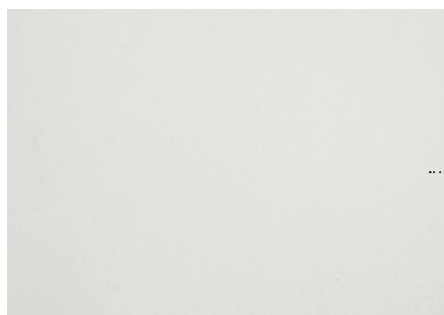
The cladding of BLOX modular fireplaces and stoves are made from a special concrete mix made by mould casting. The 28 mm thick concrete cladding has a significant ability to store heat and transfer it to the surrounding space through gradual radiation. The surface of the exposed concrete is typically unevenly coloured and may contain surface hairline cracks. If a uniform appearance of the concrete cladding is desired, it must be painted to give it a compact and integral surface. We recommend using Hoxter concrete fireplace coating for this purpose.



Exposed concrete (standard)



Concrete coating for Hoxter fireplaces (accessory)



Coating with white coat (individual design)

#### Surface repair kit

The packaging for the storage stove also includes a concrete surface repair filler in case of minor damage during handling and installation.



**BLOX H83**





## BLOX SYSTEM

### Flexibility in design and execution

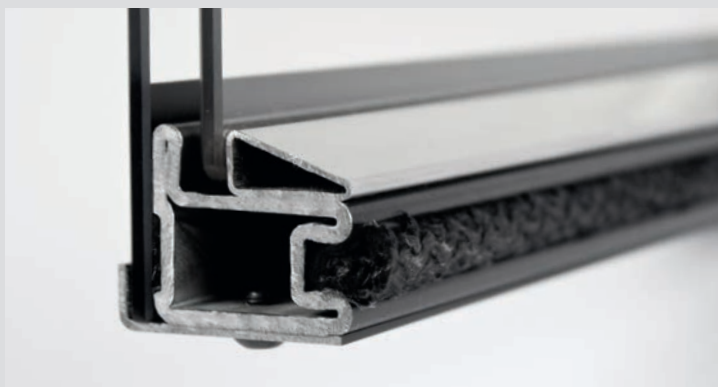


#### Handles and air controls

Small details such as handles and air controls define its appearance. Two types of designs combining two finishes – stainless steel and black. Teflon is used for a black finish for its high durability and is applied to the stainless steel.

#### Lining the firebox

In addition to the standard light-coloured firebox lining, a dark option is also available. To guarantee high durability, both liners are fired at 1 100 °C during production. In addition, the dark fireclay lining is made of a full-colour mixture that guarantees the colour stability of the firebox even after a long period of use. Both versions of the fireclay lining are 40 mm thick.



#### Stable door profile with double glazing

The door profile with a wall thickness of 2.5 mm guarantees stability at high temperatures. The design of the door allows the use of single or double glazing. The double glazing improves the insulation properties of the door and reduces the amount of heat transmitted through the door into the room. This prevents overheating in rooms with lower energy requirements.

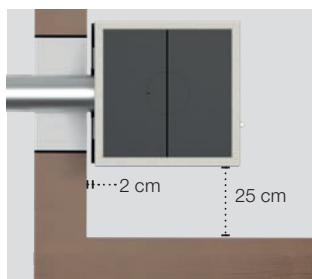
**BLOX SYSTEM**

**Variable connection also for wooden buildings and passive houses**

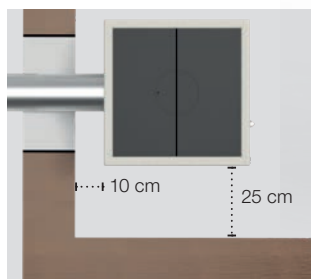
Our primary goal is to produce a design compact heat source for houses and rooms with low heat loss. For frequently used wooden house constructions, we have created a system of external and internal thermal shading to achieve minimum spacings from combustible walls.

**Minimum spacing for walls made of combustible materials**

- wooden structures, load-bearing walls up to 10 cm thick
- values for all models on pg. 26

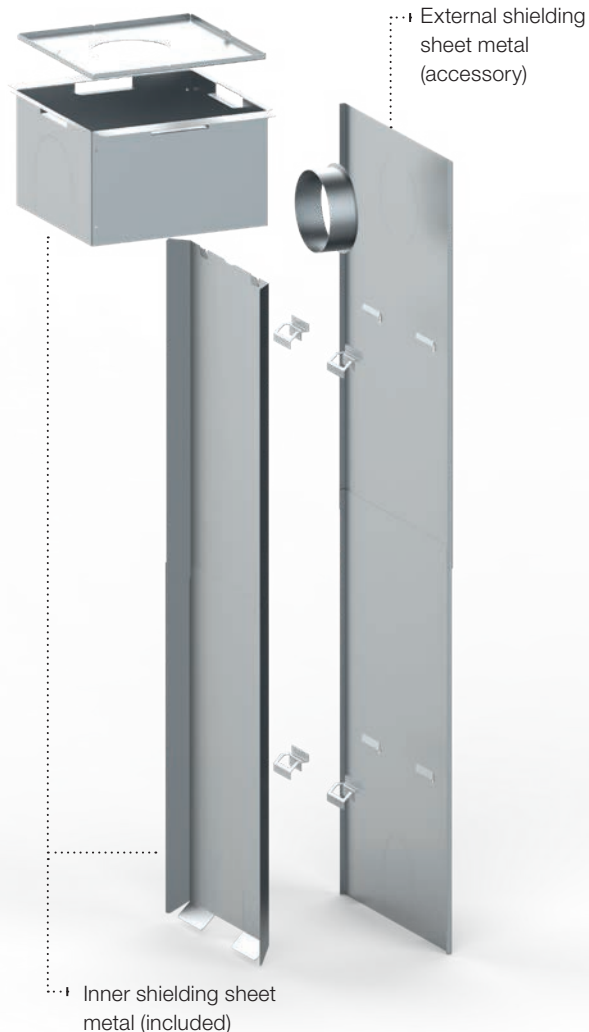


With external shielding sheet (accessory)



Without external shielding sheet metal

(values shown are for BLOX 50)

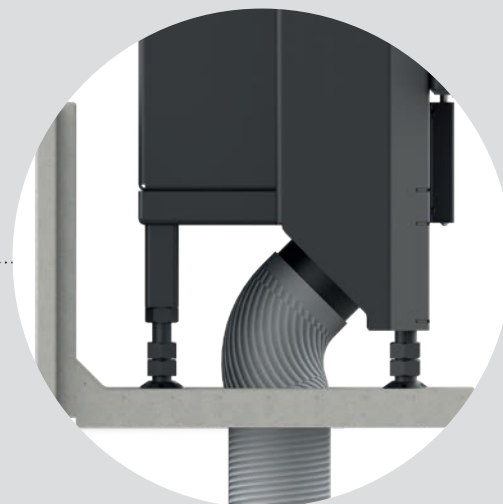


**Smoke outlet**

The flue gas outlet from the firebox can be upwards or backwards. On the BLOX 50 and H60 models, the top part with the smoke outlet can be rotated by 90°. In the circular version of BLOX R55, the flue gas can be connected upwards or backwards, and the upper part with the flue gas outlet can be turned in any direction. The unused venting path serves as an inspection opening.

**Air inlet**

The air required for combustion in the firebox can be connected from behind or from below. The division of the lower part of the concrete structure allows convenient access to the aluminium duct connection.







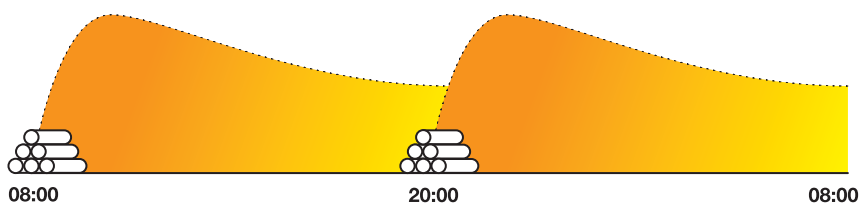


## BLOX accumulation stove

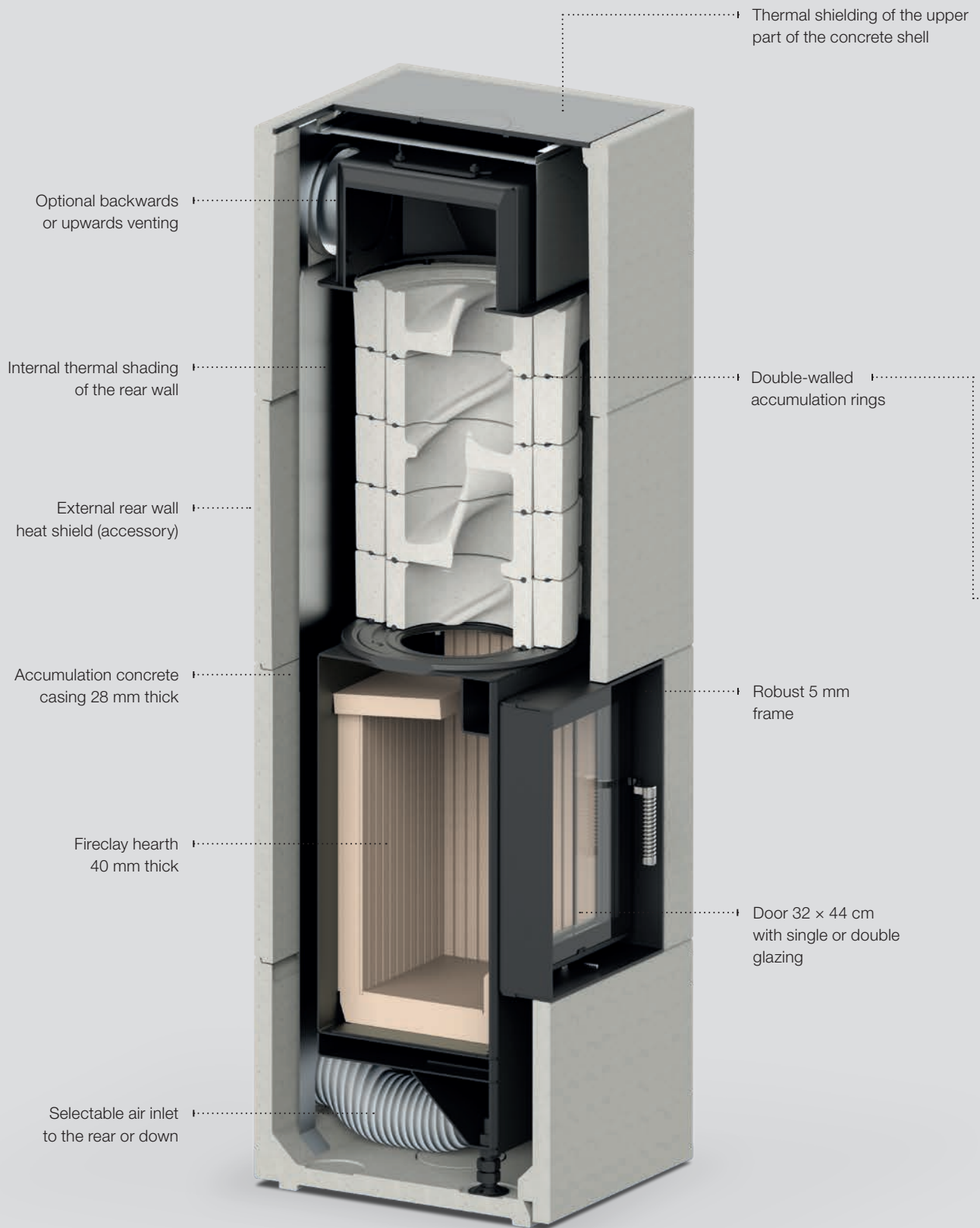
For small spaces, we have created a very efficient and user-friendly heater with a modern design. Available only in the accumulation version and characterized by low hourly output and long accumulation time.



Method of fuelling and heat output during a 24-hour cycle

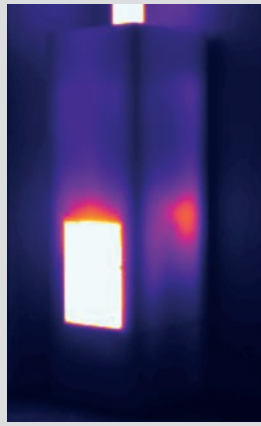


**BLOX ACCUMULATION STOVE**  
**Technology**



### Heat accumulation in a closed shell

The stove casing is completely closed without air convection holes to achieve the longest possible accumulation and the lowest possible hourly heat output. The accumulation engine is the double-walled accumulation rings in direct contact with the flue gas. At the beginning of the heating process, the heat from the glass door enters the room and is replaced by the radiant heat from the entire surface of the stove housing.



1 hour after heating  
Average surface temperature 29 °C

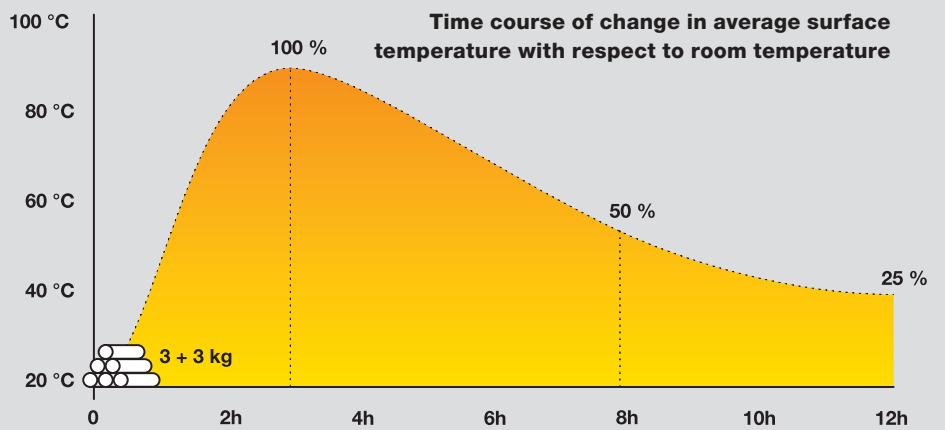


3 hour after heating  
Average surface temperature 88 °C



12 hour after heating  
Average surface temperature 45 °C

(values are given for BLOX 50)



### Accumulation ring

- Spiral flue gas duct
- Bulk density 2 700 kg/m<sup>3</sup>
- Production firing temperature 1 100 °C
- Connection via sealing cord with tongue & groove system



**3 + 3 kg**

Fuel batch

**12 hours**

Heat output time  
from heating

**1,6 kW/h**

Average heat output







## BLOX ACCUMULATION STOVE Overview of models



### **BLOX 50**

#### **Accumulation variant**

- Average heat output 1,6 kW/h
- Heat output time from heating 12 hours
- Total weight 425 kg



### **BLOX R55**

#### **Accumulation variant**

- Average heat output 1,6 kW/h
- Heat output time from heating 12 hours
- Total weight 415 kg

BLOX H60T



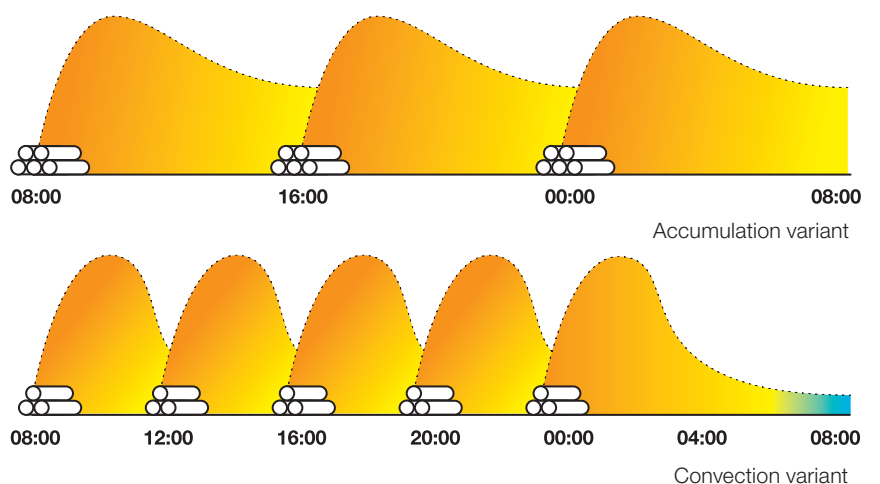


## BLOX modular fireplaces

These products are a unique combination of technology and design. They are characterised by their quick and intuitive installation. They consist of a fireplace insert, a steel base with special rails for air inlet and a concrete surrounding structure. Optionally, when configuring the product, you can choose between conventional convection operation or accumulation heating.



**Method of fuelling and heat output during a 24-hour cycle**



**BLOX MODULAR FIREPLACES**  
**Technology**

Optional backwards  
or upwards venting

Internal thermal shading  
of the rear wall

External rear wall  
heat shield (accessory)

Concrete casing  
28 mm thick

Fireclay hearth  
40 mm thick

Selectable air inlet  
to the rear or down



**„Heat boost“ function**

**for the accumulation variant**

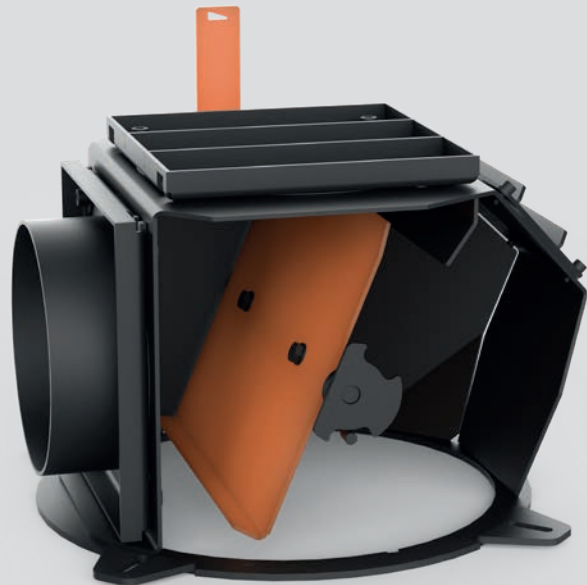
The surrounding structure made of exposed concrete for the accumulation variant includes a closable grille. When the grille is opened, heated air immediately flows into the room.

The flap for the convection variant of modular fireplaces has permanently opened air openings without the possibility of closure.



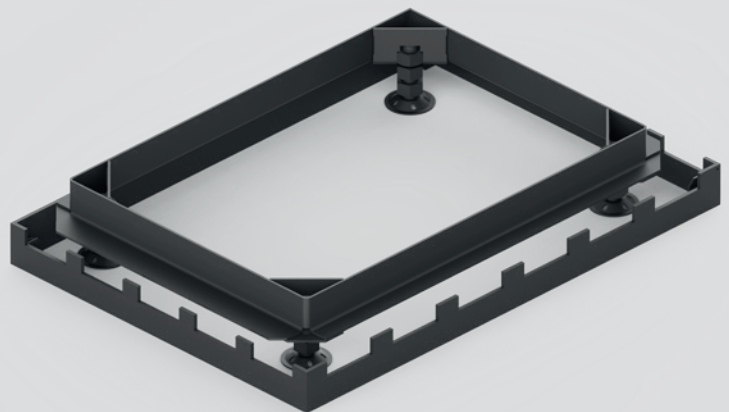
**Integrated flap**

The accumulation and convection variants of the BLOX modular fireplaces have an integrated chimney draft damper. Closure range 0–80%.



**Height adjustable base**

Allows the height and levelling of the entire structure to be adjusted during and after installation. The base cover is attached using a magnet system, and the entire assembly is carried out after the floor has been laid.



**BLOX MODULAR FIREPLACES**  
**Heat distribution**

**Accumulation variant**

- Heat accumulation in storage rings and concrete shell
- "Heat boost" option to open the grille for faster heat onset



**3–5,6 kW/h**

Average heat output  
(by model)

**5–12 hours**

Heat output time  
from heating (by model)

**Convection variant**

- Partial heat accumulation in the concrete shell
- Faster heat onset



**8–10 kW/h**

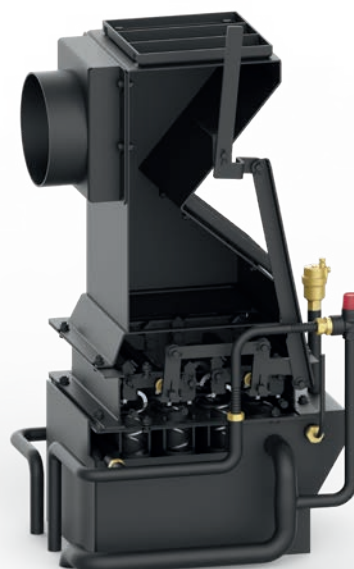
Average heat output  
(by model)

**1–3 hours**

Heat output time  
from heating (by model)

**Water heating variant**

- Heat accumulation in an external storage tank
- Entire house heating plus hot water heating

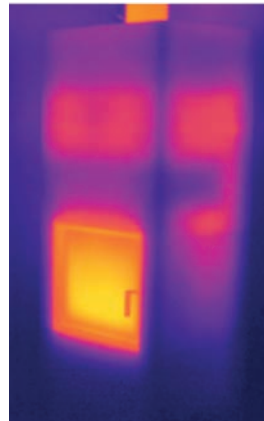
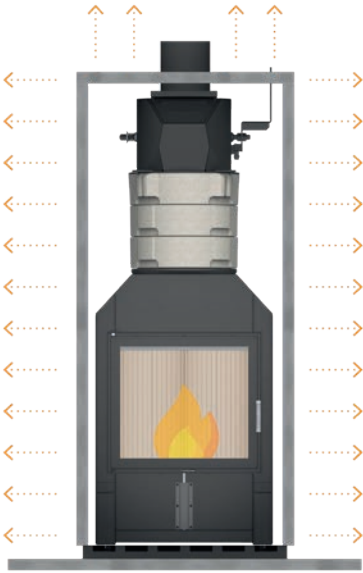


**8 kW/h**

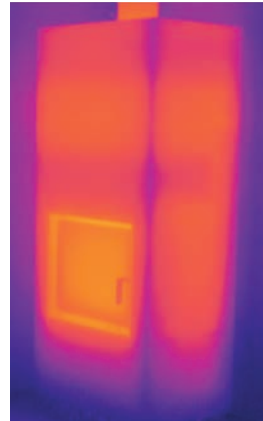
Average heat output

**70 %**

Share of power to water



1 hour after heating  
Average surface  
temperature 48 °C

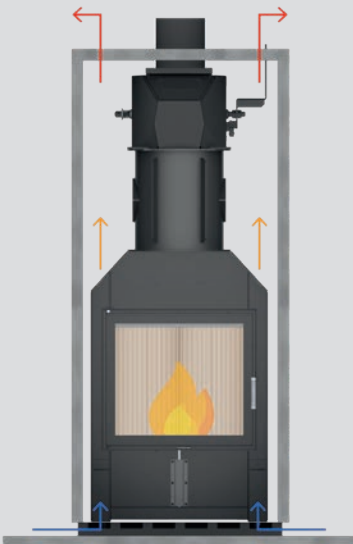


3 hour after heating  
Average surface  
temperature 78 °C

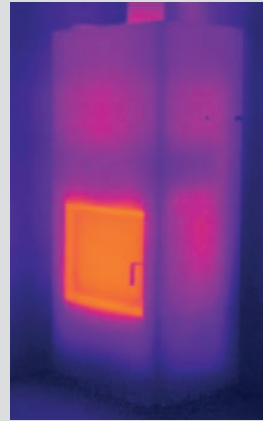


8 hour after heating  
Average surface  
temperature 46 °C

(values are given for BLOX H83)



1 hour after heating  
Average surface  
temperature 58 °C



2 hour after heating  
Average surface  
temperature 43 °C

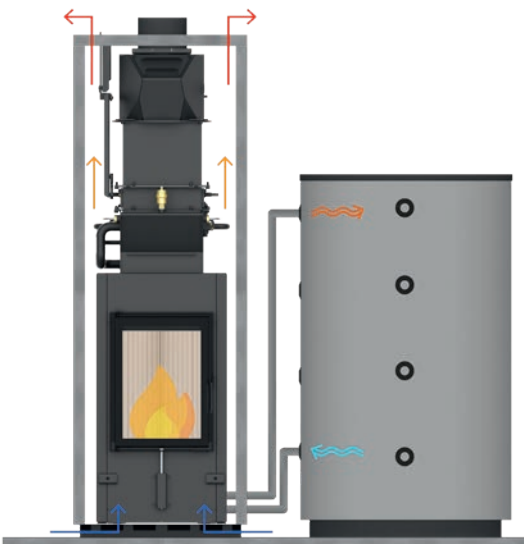


3 hour after heating  
Average surface  
temperature 37 °C

(values are given for BLOX H83)

**WTR hot water  
heat exchanger cleaner**

Higher operating comfort and constant efficiency of the hot water heat exchanger is provided in the variant with integrated WTR cleaner. In each of the exchanger tubes, a stainless-steel spiral is suspended from a two-axis rocker mechanism. A simple movement of the lever over the lid of the housing allows efficient cleaning.



**BLOX MODULAR FIREPLACES**  
**Overview of models**



**BLOX H60**

**Accumulation variant**

- Average heat output 3 kW/h
- Heat output time from heating 12 hours
- Total weight 592 kg

**Convection variant**

- Nominal power 10 kW/h
- Total weight 474 kg



**BLOX H60W**

**Water heating variant**

- Nominal power 8 kW/h
- Share of power to water 5,6 kW/h
- Total weight 520 kg



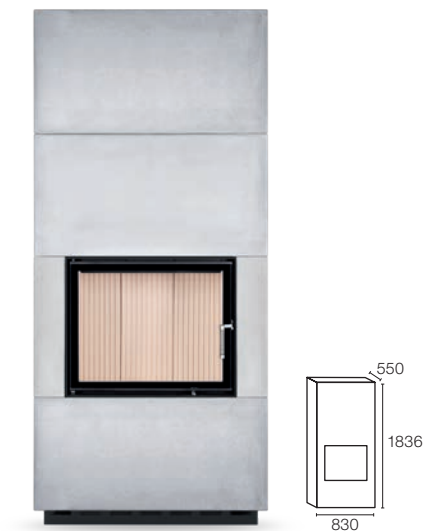
**BLOX H60T**

**Accumulation variant**

- Average heat output 3,3 kW/h
- Heat output time from heating 12 hours
- Total weight 606 kg

**Convection variant**

- Nominal power 10 kW/h
- Total weight 487 kg



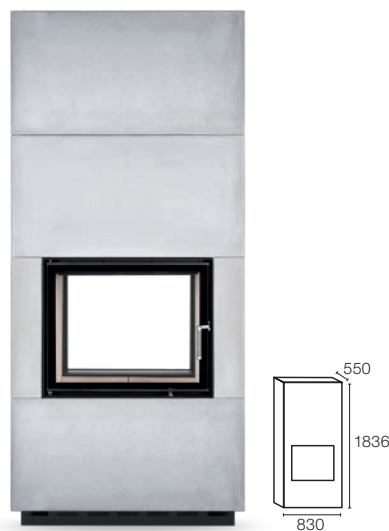
**BLOX H83**

**Accumulation variant**

- Average heat output 3,1 kW/h
- Heat output time from heating 9 hours
- Total weight 570 kg

**Convection variant**

- Nominal power 8 kW/h
- Total weight 521 kg



**BLOX H83T**

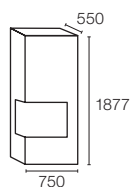
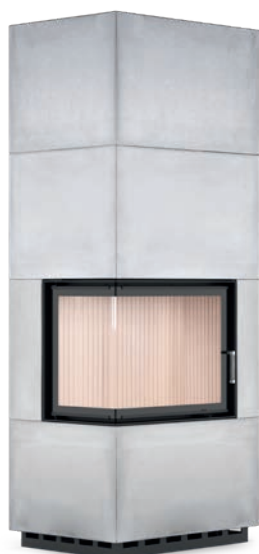
**Accumulation variant**

- Average heat output 3,1 kW/h
- Heat output time from heating 9 hours
- Total weight 582 kg

**Convection variant**

- Nominal power 8 kW/h
- Total weight 533 kg





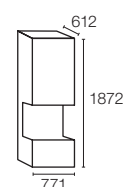
### **BLOX E75**

#### **Accumulation variant**

- Average heat output 4 kW/h
- Heat output time from heating 7 hours
- Total weight 549 kg

#### **Convection variant**

- Nominal power 8 kW/h
- Total weight 500 kg



### **BLOX U77**

#### **Accumulation variant**

- Average heat output 5,6 kW/h
- Heat output time from heating 5 hours
- Total weight 538 kg

#### **Convection variant**

- Nominal power 8 kW/h
- Total weight 508 kg



## Technical data

	BLOX 50 <b>A+</b>	BLOX R55 <b>A+</b>	BLOX H60 <b>A+</b>		BLOX H60T <b>A+</b>	
	Accumulation variant	Accumulation variant	Accumulation variant	Convection variant	Accumulation variant	Convection variant
Fireplace insert	HAKA 32/44	HAKA 32/44	HAKA 37/50	HAKA 37/50	HAKA 37/50T	HAKA 37/50T
Accumulation rings	5x Ø360 mm	5x Ø360 mm	5x Ø440 mm	----	5x Ø440 mm	----
<b>Measured operating values</b>						
Nominal power	----	----	----	10 kW	----	10 kW
Efficiency	> 80 %	> 80 %	> 80 %	> 80 %	> 80 %	> 80 %
Fuel turnover	6 kg (3 + 3 kg)	6 kg (3 + 3 kg)	9 kg (4,5 + 4,5 kg)	3 kg/h	10 kg (5 + 5 kg)	3 kg/h
Stove power <sup>1</sup>	24 kW	24 kW	36 kW	----	40 kW	----
Average heat output <sup>2</sup>	1,6 kW	1,6 kW	3 kW	----	3,3 kW	----
Heat output time <sup>3</sup>	12 hours	12 hours	12 hours	----	12 hours	----
Average flue gas temperature at the outlet	240 °C	240 °C	252 °C	259 °C	247 °C	251 °C
<b>General technical information</b>						
Total weight	425 kg	415 kg	592 kg	474 kg	606 kg	487 kg
Overall dimensions (width x depth x height)	500 x 500 x 1597 mm	550 x 550 x 1647 mm	600 x 600 x 1968 mm		600 x 600 x 1968 mm	
Dimensions of the firebox (width x depth)	250 x 210 mm	250 x 210 mm	305 x 305 mm		305 x 305 mm	
Air connection for combustion	horizontal / vertical Ø100 mm	horizontal / vertical Ø100 mm	horizontal / vertical Ø125 mm		horizontal / vertical Ø125 mm	
Diameter of flue connection	Ø130 mm (optionally vertically Ø150 mm)	Ø130 mm (optionally Ø150 mm)	Ø180 mm		Ø180 mm	
Height of flue connection vertically / horizontally	1597 / 1450 mm	1647 / 1500 mm	1968 / 1803 mm		1968 / 1803 mm	
<b>Minimum spacing</b>						
<b>for walls made of non-combustible materials</b>						
rear / side / ceiling / floor	20 / 100 / 400 / 0 mm	0 / 50 / 400 / 0 mm	20 / 100 / 400 / 0 mm		---- / 20 / 400 / 0 mm	
rear / side with external thermal shading	0 / 0 mm	---- / ---- mm	0 / 0 mm		---- / 0 mm	
<b>for walls made of combustible materials</b>						
rear / side / ceiling / floor	100 / 250 / 600 / 0 mm	80 / 170 / 600 / 0 mm	100 / 300 / 600 / 0 mm		---- / 250 / 600 / 0 mm	
rear / side with external thermal shading	20 / 250 mm	---- / ---- mm	20 / 50 mm		---- / 20* mm	

### BLOX H60W **A+**

	Water heating variant
Fireplace insert	HAKA 37/50W (WTR)
<b>Measured operating values</b>	
Nominal power / Share of power to water	8 / 5,6 kW
Efficiency	> 80 %
Fuel turnover	2,2 kg/h
Average flue gas temperature at the outlet	184 °C
<b>General technical information</b>	
Total weight	520 kg
Overall dimensions (width x depth x height)	600 x 600 x 1968 mm
Dimensions of the firebox (width x depth)	305 x 305 mm
Air connection for combustion	horizontal / vertical Ø125 mm
Diameter of flue connection	Ø180 mm
Height of flue connection vertically / horizontally	1968 / 1803 mm
<b>Minimum spacing</b>	
<b>for walls made of non-combustible materials</b>	
rear / side / ceiling / floor	20 / 100 / 400 / 0 mm
rear / side with external thermal shading	0 / 0 mm
<b>for walls made of combustible materials</b>	
rear / side / ceiling / floor	100 / 300 / 600 / 0 mm
rear / side with external thermal shading	20 / 50 mm

**BLOX H83** **A**
**BLOX H83T** **A**
**BLOX E75** **A**
**BLOX U77** **A**

Accumulation variant	Convection variant	Accumulation variant	Convection variant	Accumulation variant	Convection variant	Accumulation variant	Convection variant
HAKA 60/50	HAKA 60/50	HAKA 60/50T	HAKA 60/50T	ECKA 60/35/50	ECKA 60/35/50	UKA 35/60/35/50	UKA 35/60/35/50
3x Ø360 mm	----	3x Ø360 mm	----	3x Ø360 mm	----	2x Ø360 mm	----
----	8 kW	----	8 kW	----	8 kW	----	8 kW
> 80 %	> 80 %	> 80 %	> 80 %	> 80 %	> 80 %	> 80 %	> 80 %
7 kg (3,5 + 3,5 kg)	2,5 kg/h	7 kg (3,5 + 3,5 kg)	2,5 kg/h	7 kg (3,5 + 3,5 kg)	2,5 kg/h	7 kg (3,5 + 3,5 kg)	2,5 kg/h
28 kW	----	28 kW	----	28 kW	----	28 kW	----
3,1 kW	----	3,1 kW	----	4 kW	----	5,6 kW	----
9 hours	----	9 hours	----	7 hours	----	5 hours	----
236 °C	247 °C	230 °C	247 °C	233 °C	253 °C	219 °C	253 °C
570 kg	521 kg	582 kg	533 kg	549 kg	500 kg	538 kg	508 kg
830 x 550 x 1836 mm		830 x 550 x 1836 mm		750 x 550 x 1877 mm		771 x 612 x 1872 mm	
520 x 210 mm		520 x 290 mm		460 x 210 mm		390 x 205 mm	
horizontal / vertical Ø125 mm		horizontal / vertical Ø125 mm		horizontal / vertical Ø125 mm		horizontal / vertical Ø125 mm	
Ø180 mm		Ø180 mm		Ø180 mm		Ø180 mm	
1836 / 1670 mm		1836 / 1670 mm		1877 / 1712 mm		1869 / 1704 mm	
20 / 50 / 400 / 0 mm		---- / 20 / 400 / 0 mm		20 / 50 / 400 / 0 mm		20 / ---- / 400 / 0 mm	
0 / 0 mm		---- / 0 mm		0 / 0 mm		0 / ---- mm	
80 / 250 / 600 / 0 mm		---- / 250 / 600 / 0 mm		70 / 200 / 600 / 0 mm		50 / ---- / 600 / 0 mm	
20 / 50 mm		---- / 20* mm		20 / 20* mm		10 / ---- mm	

\* With internal and external thermal shading

1 With a maximum wood quantity of 4 kWh/kg, not taking into account efficiency losses.

2 Accumulation variant, the indicated fuel batch for the accumulation period with system efficiency >80%.

3 Time from heating to reaching 25% of the maximum average surface temperature relative to room temperature.

## BLOX R55

### **HOXTER GmbH**

Haidmühlweg 5  
92665 Altenstadt an der Waldnaab  
Deutschland  
Tel.: +49(0)9602 944 7944  
E-mail: info@hoxter.de

### **HOXTER a.s.**

Jinačovice 512  
66434 Jinačovice  
Czech Republic  
Tel.: +420 518 777 701  
E-mail: info@hoxter.eu

[www.hoxter.eu](http://www.hoxter.eu)

**Version 11/2024**

**EN-M1000543**

Changes of the stated data and errors reserved.

The technical data and drawings are to be found on our homepage [www.hoxter.eu](http://www.hoxter.eu)

